

## INSTALLATION INSTRUCTIONS:

1.

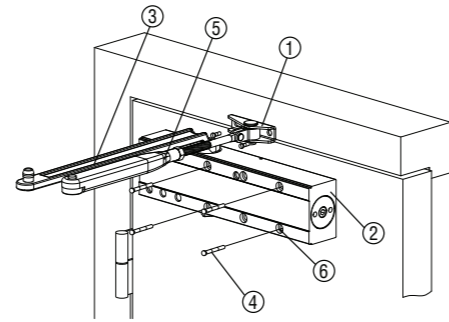
Power size	Max. Door Width	Max. Door Weight	Max. Door Opening	Number of turns
Size 2	850mm	40Kg	180°	8CCW
Size 3	950mm	60Kg	180°	8CCW
Size 4*	1100mm	80Kg	180°	0
Size 5	1250mm	100Kg	180°	7CW

\* Factory preset | CW:Clockwise | CCW:Counterclockwise

1. According to the information show above, select power size to suit door width or weight. Determine installation position according to the power strength of closer and use template to mark four(4) holes on door for closer and two(2) holes on frame for arm shoe.

2. Drill pilot holes in door for 4 off No.10x2" screws and drill pilot holes in frame for 2 off No.10x1" screws,or drill and tap for M5xP0.8 machine screws.

2.



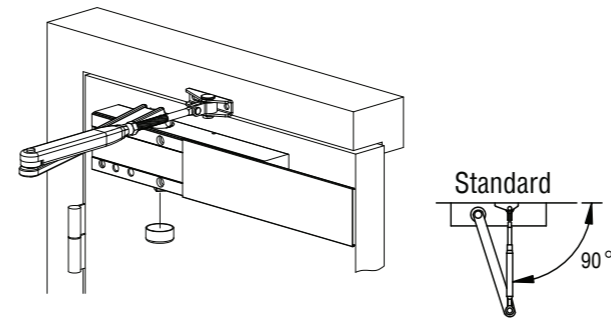
3. Install adjustable forearm / arm and assemble to frame using screws provided.

4. Install main arm to top pinion shaft using screws provided.

5. Mount closer on door using screws provided.

- |               |                |
|---------------|----------------|
| ① Arm shoe    | ④ Fixing screw |
| ② Closer body | ⑤ Link arm     |
| ③ Main arm    | ⑥ Fixing holes |

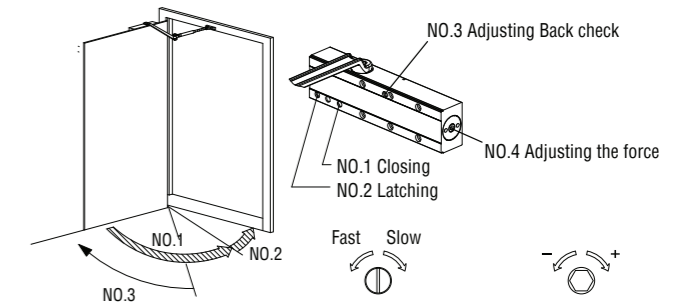
3.



6. Adjust length of forearm so that the adjustable forearm is perpendicular to frame when assembled to preloaded main arm.

7. Secure forearm to main arm with screws provided and snap pinion cap over shaft at bottom of closer.

4.

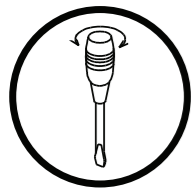


Adjust to a **MAXIMUM OF 2 TURNS**.

Over adjustment affect the performance of the closer. In such instance our Guarantee becomes VOID

- \* Adjust the Closing & Latching speed.
  - 1.The door closer can control two different speeds.
  - 2.The NO.1 speed adjusting valve controls Closing speed,and the NO.2 speed adjusting valve controls the Latching speed.
- \* Back-Check Adjustment  
To increase Back-check action turn valve clockwise. To decrease, or to turn off Back-check action turn valve counter clockwise.

## IMPORTANT INSTALLATION NOTES:



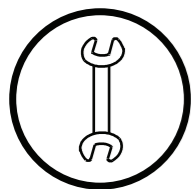
### After installation, please check and test

1. Open the door leaf to its maximum opening angle and release. The door leaf should close fully into the door frame and overcome the latch.
2. Open the door leaf and rest the latch bolt on the striker plate. Once door leaf is released, the door closer should have sufficient power to latch the door leaf closed.
3. Back-check provides a cushioning effect when the door is forcibly thrown open but does not serve as substitute for a door stop.



### Warning:

1. Door closer power sizes 1&2 are NOT considered suitable for use fire/smoke door assemblies. Therefore, the minimum spring strength allowed for fire/smoke door assemblies is spring strength 3.
2. Mechanical hold open devices must NOT be installed on fire/smoke doors.
3. Door closer should NOT be opened beyond the max. Opening angle of the power size you selected.
4. This door closer contains a powerful spring which is inserted into the body under pressure. Under NO circumstances should you attempt to dismantle the door closer.

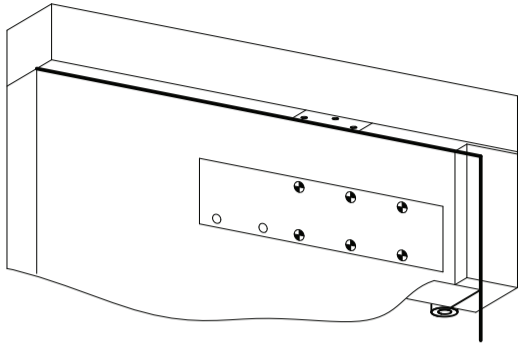


### Maintenance:

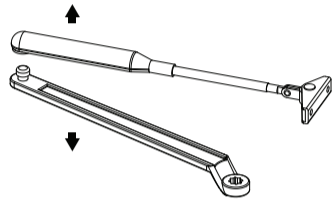
1. Check the door closer every three months to ensure all fixings are secure. If necessary, adjust the closing and latching speed. Ensure the door operates both functionally and smoothly, in accordance with the expectations of EN 1154:1997.
2. Apply lubrication to arm knuckle joint and door hinges as required.

## PARALLEL ARM FIXING ON PUSH SIDE

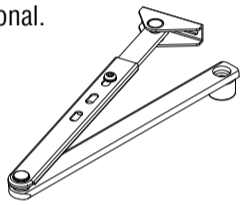
1. Please install the closer body and parallel arm bracket according to the template



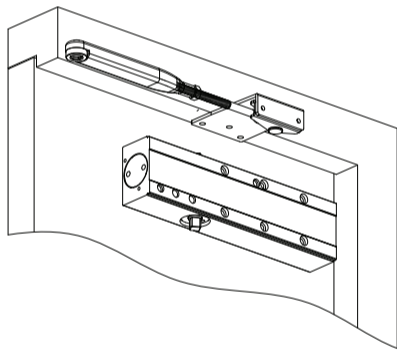
2. Dismount the main arm and link arm



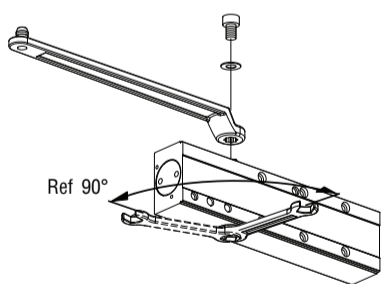
Flat arm is optional.



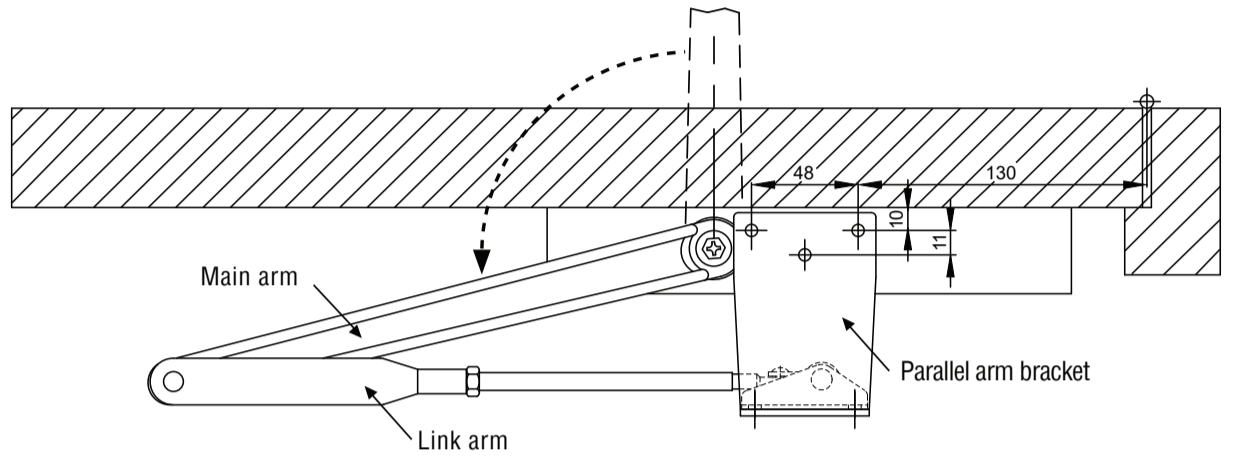
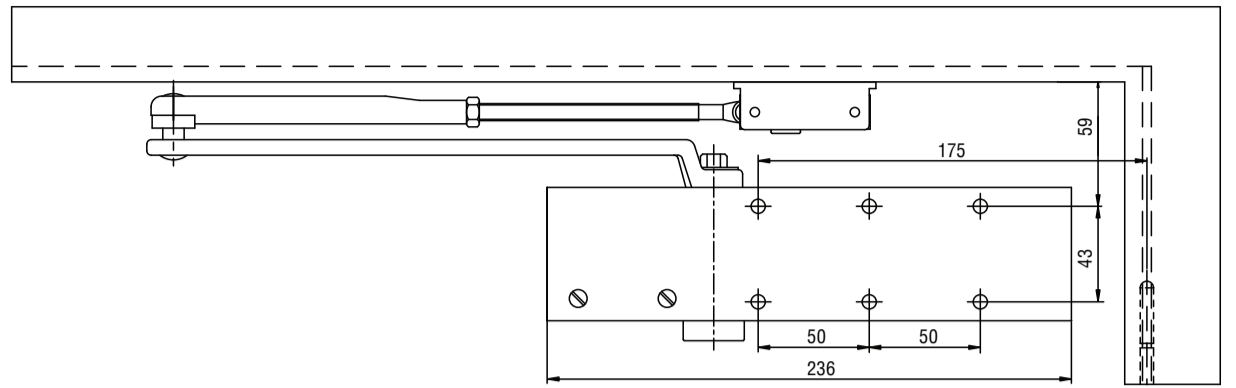
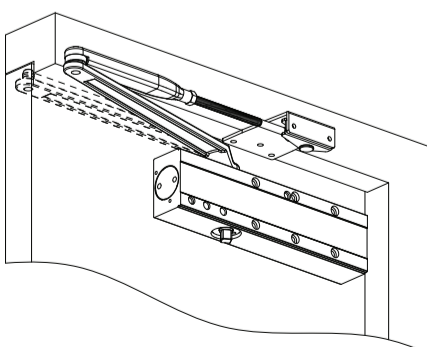
3. Fix link arm, parallel arm bracket and closer body by M5 screws



4. Rotate the pinion approximately at 90° by wrench as illustrated and then assemble the main arm with pinion by M6 screw tightly

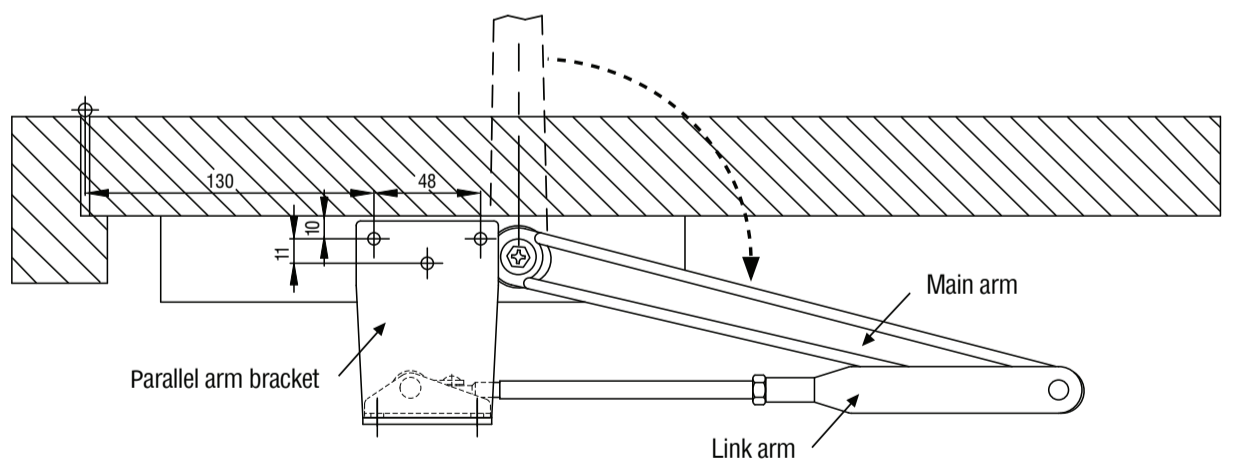
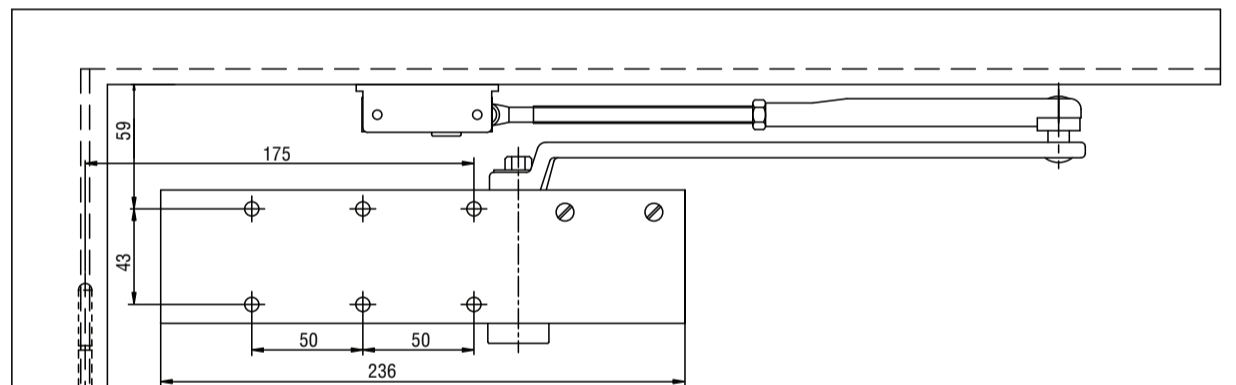


5. Connect the main arm and link arm as illustrated



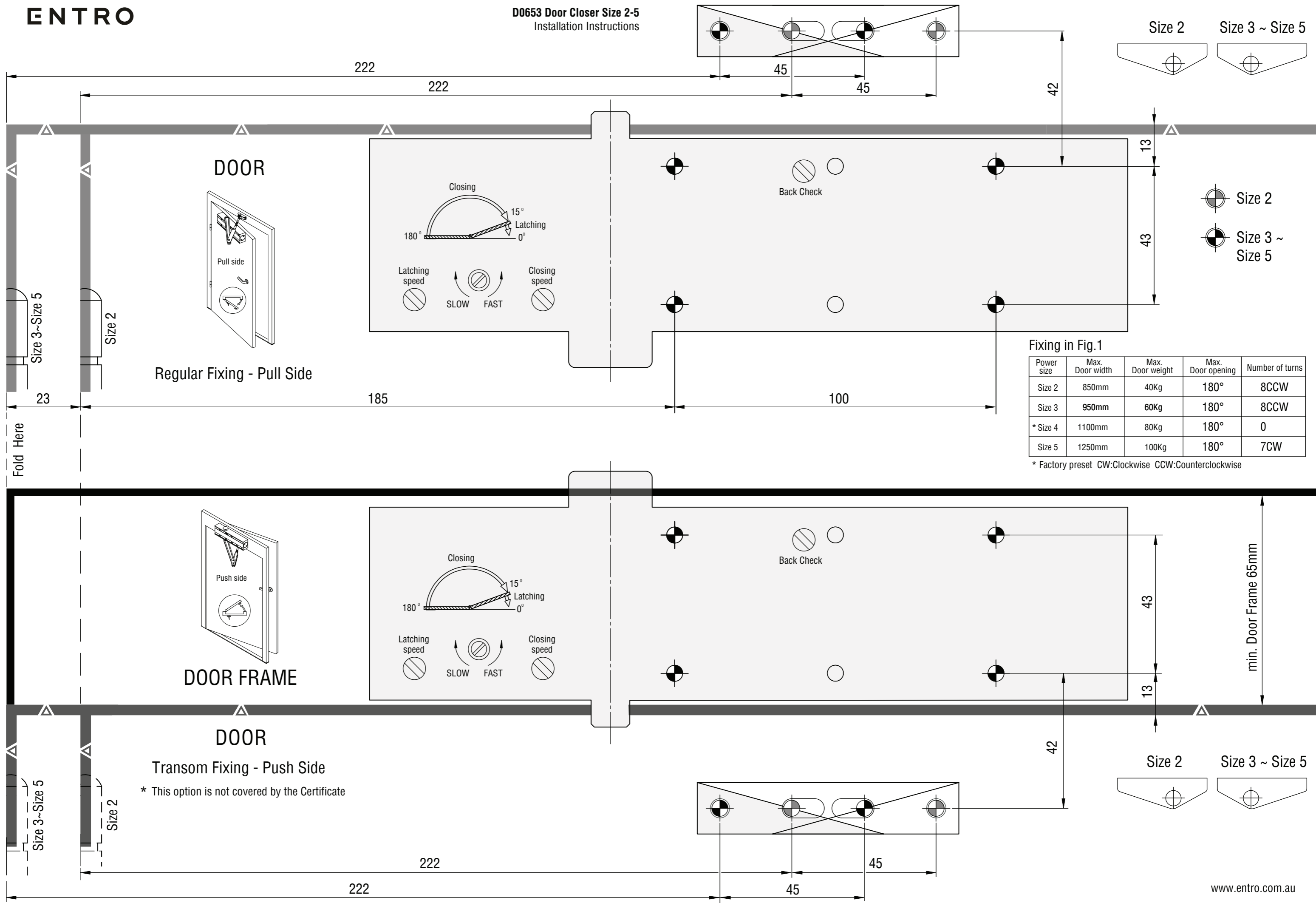
Power size	Max. Door width	Max. Door weight	Max. Door Opening	Number of turns
Size 3*	950mm	60Kg	130°	0
Size 4	1100mm	80Kg	130°	7CW

\* Factory preset | CW:Clockwise | CCW:Counterclockwise

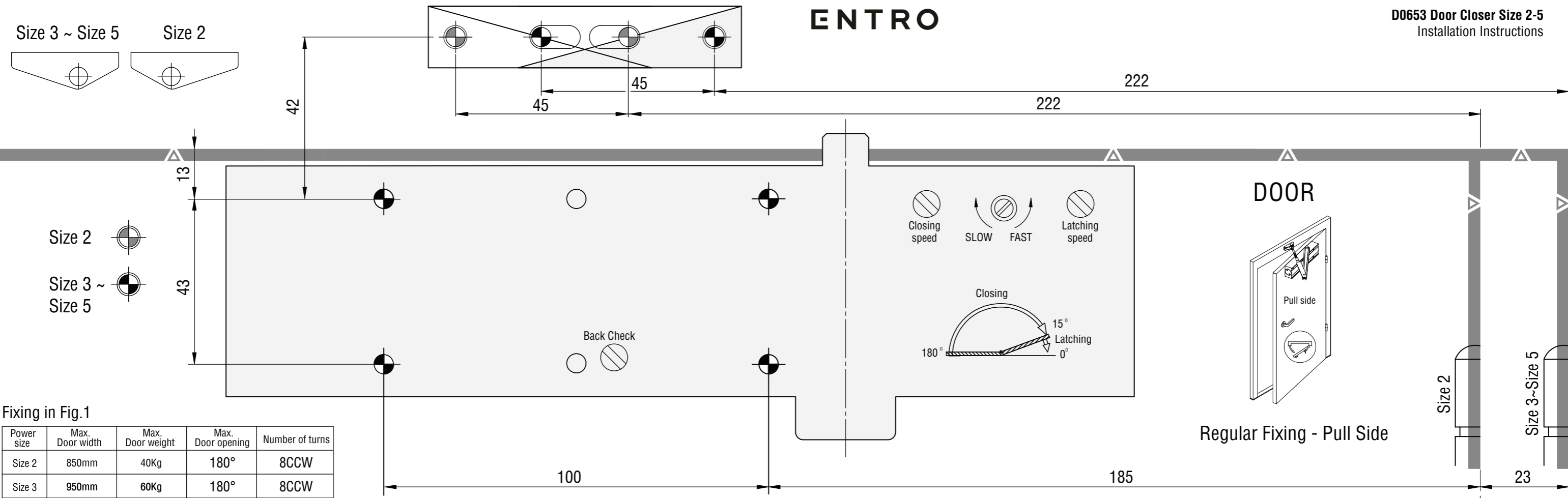


Power size	Max. Door width	Max. Door weight	Max. Door Opening	Number of turns
Size 3*	950mm	60Kg	130°	0
Size 4	1100mm	80Kg	130°	7CW

\* Factory preset | CW:Clockwise | CCW:Counterclockwise



# ENTRO



Fixing in Fig.1

Power size	Max. Door width	Max. Door weight	Max. Door opening	Number of turns
Size 2	850mm	40Kg	180°	8CCW
Size 3	950mm	60Kg	180°	8CCW
* Size 4	1100mm	80Kg	180°	0
Size 5	1250mm	100Kg	180°	7CW

\* Factory preset CW:Clockwise CCW:Counterclockwise

