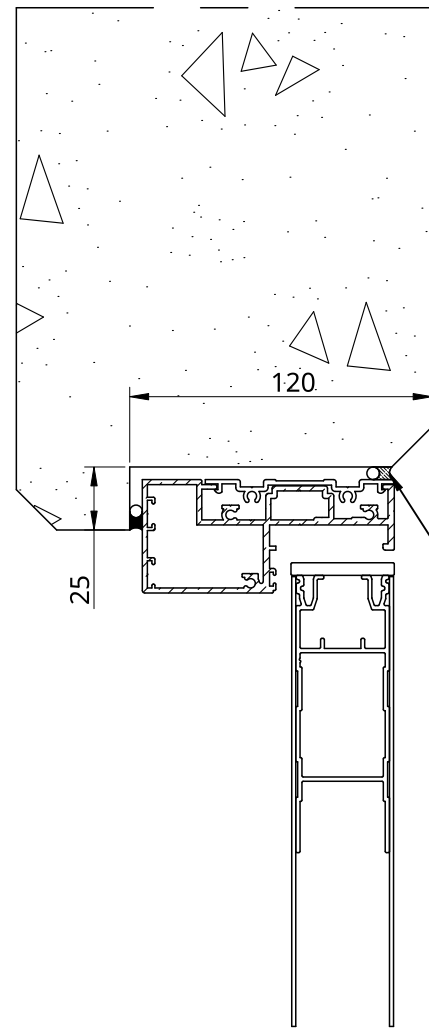




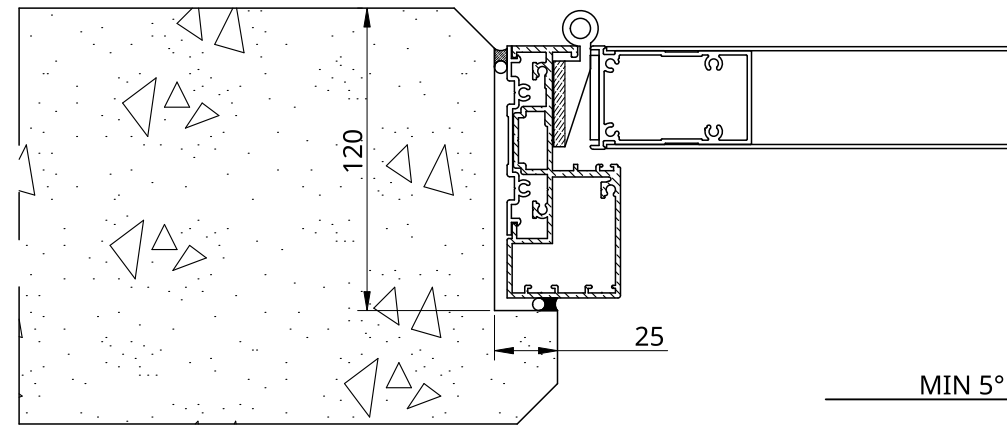
**NEW ZEALAND** | 0800 10 10 28  
 sales@parkwooddoors.co.nz  
 parkwooddoors.co.nz

**AUSTRALIA** | 1800 681 586  
 sales@parkwooddoors.com.au  
 parkwooddoors.com.au

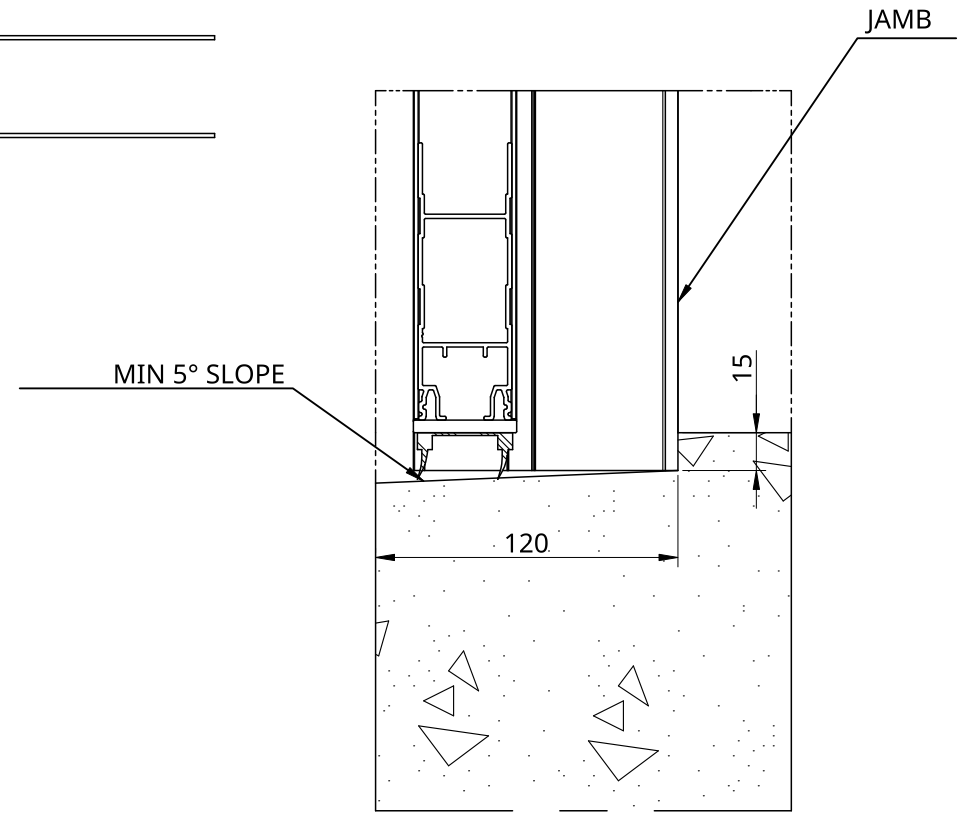


TYPICAL HEAD DETAIL  
1:3

APPLY FLEXIBLE SEALANT  
TO HEAD AND JAMBS ONLY



TYPICAL JAMB DETAIL  
1:3



TYPICAL SILL DETAIL  
1:3

## INSTALLATION DETAILS

<b>SERIES</b>	GARRISON	<b>DRAWN</b>	PARKWOOD
<b>FRAME</b>	100 PLAIN	<b>DATE</b>	25/01/2023
<b>PANEL</b>	GARRISON FL	<b>SIZE</b>	A3