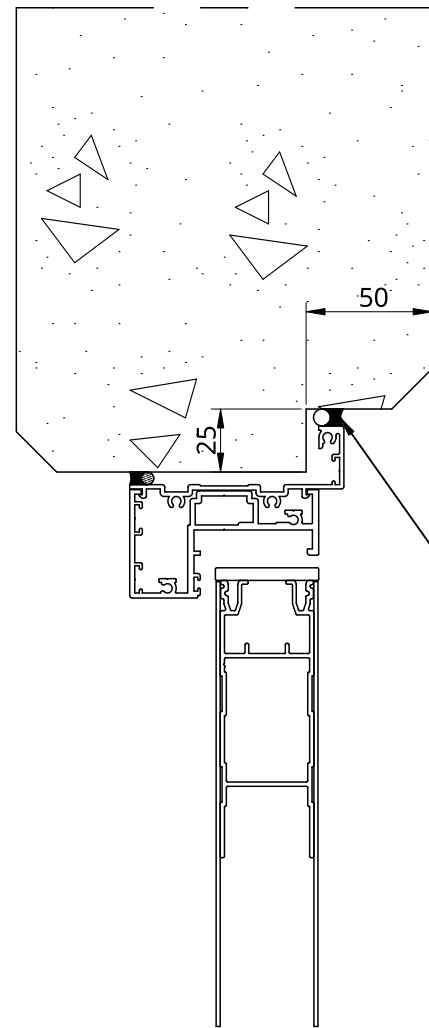




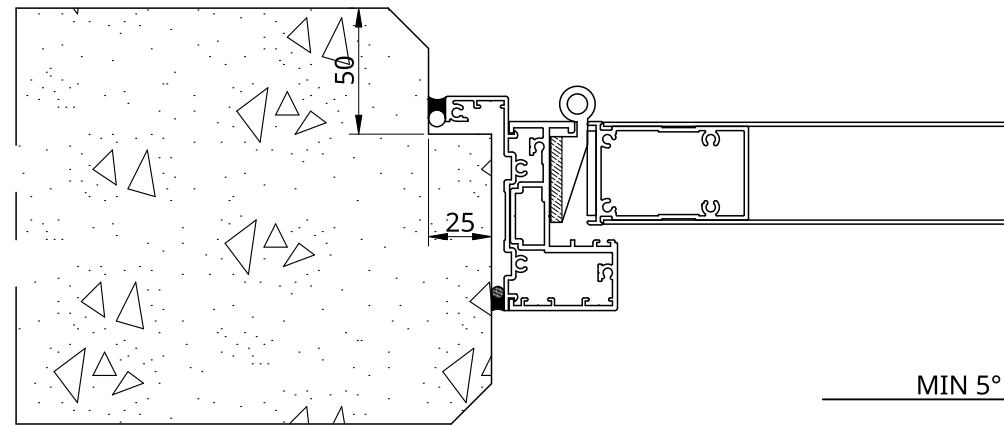
**NEW ZEALAND** | 0800 10 10 28  
 sales@parkwooddoors.co.nz  
 parkwooddoors.co.nz

**AUSTRALIA** | 1800 681 586  
 sales@parkwooddoors.com.au  
 parkwooddoors.com.au

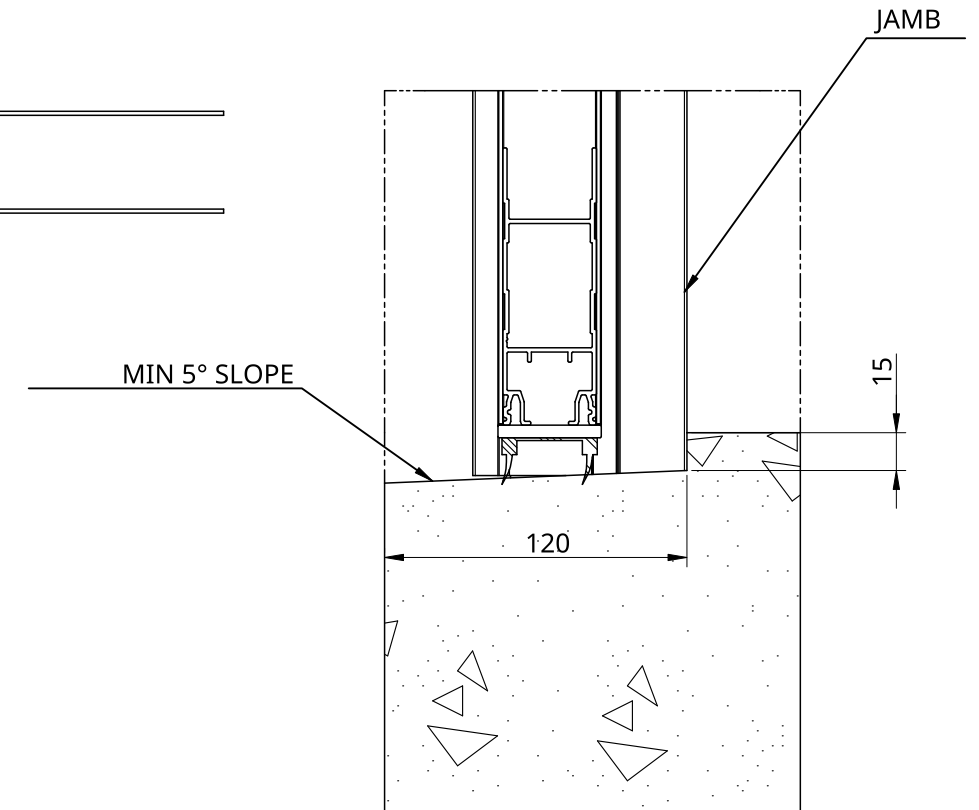


TYPICAL HEAD DETAIL  
1:3

APPLY FLEXIBLE SEALANT  
TO HEAD AND JAMBS ONLY



TYPICAL JAMB DETAIL  
1:3



TYPICAL SILL DETAIL  
1:3

## INSTALLATION DETAILS

|               |             |              |            |
|---------------|-------------|--------------|------------|
| <b>SERIES</b> | GARRISON    | <b>DRAWN</b> | PARKWOOD   |
| <b>FRAME</b>  | 75 FLANGE   | <b>DATE</b>  | 25/01/2023 |
| <b>PANEL</b>  | GARRISON FL | <b>SIZE</b>  | A3         |