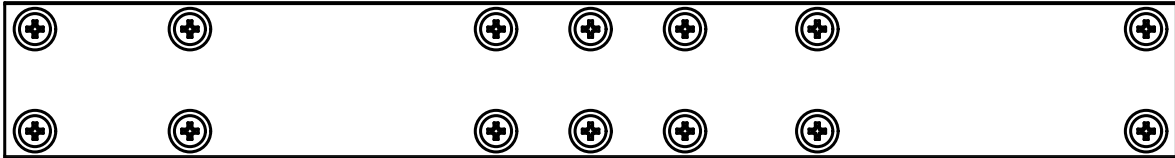
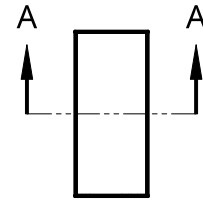


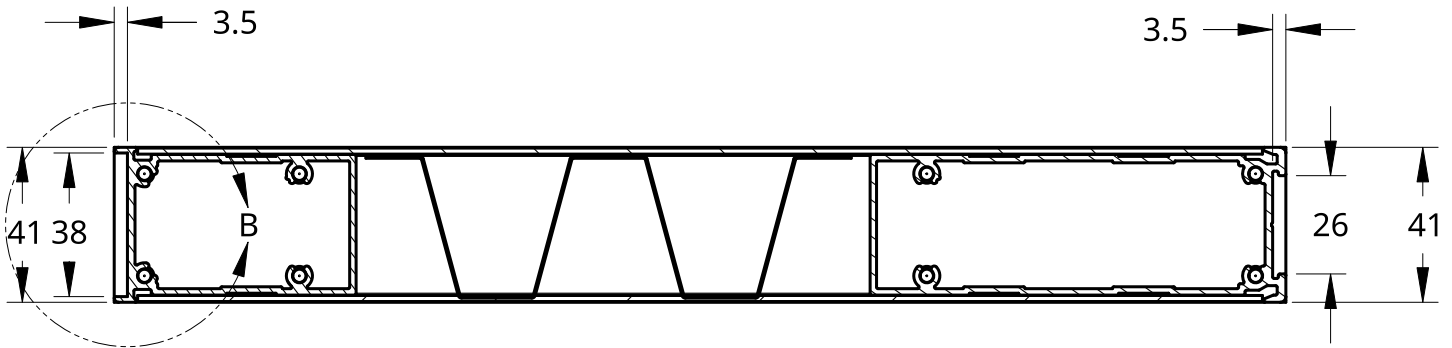


**NEW ZEALAND** | 0800 10 10 28  
 sales@parkwooddoors.co.nz  
 parkwooddoors.co.nz

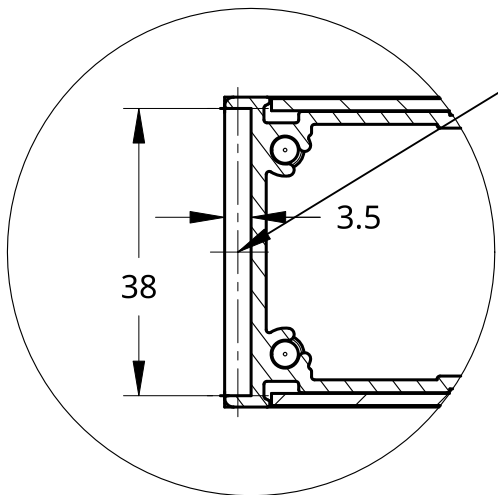
**AUSTRALIA** | 1800 681 586  
 sales@parkwooddoors.com.au  
 parkwooddoors.com.au



TOP  
 SCALE 1:2



SECTION A - A  
 SCALE 1:2



PACKER DIMENSIONS TO  
 MAKE FLUSH STILE

DETAIL B  
 SCALE 1:1

Product Description:			
<b>STRATA FLUSH CROSS SECTION</b>			
Product Code:	STFL	Date:	09/02/2022
Material:	ALUMINIUM	Units:	MILLIMETER